

1/2" CHAMFER ON ALL EXPOSED EDGES

6" for "H" to 6'-0"  
9" for "H" over 6'-0"

FORM MARKS TO BE REMOVED FROM FACE OF WALL

"H" Ft.

CONC. S/W

6"

12"

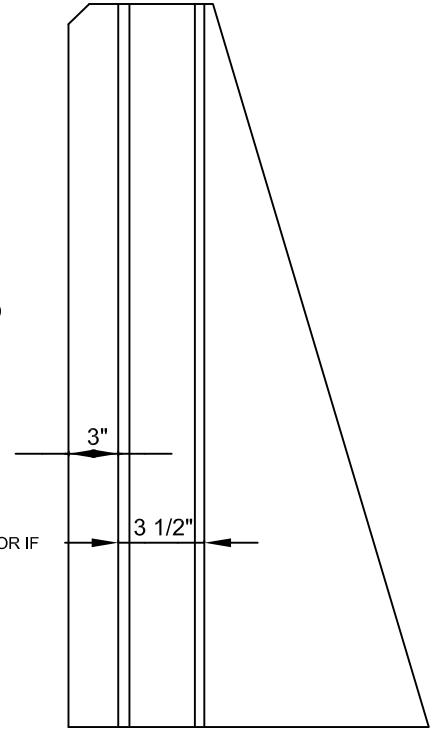
1/2 H + 6"

2ea.-(10"x2")#4 BARS  
(4" EACH SIDE WEEP HOLE)

GRANULAR MATERIAL (2 cu. ft.)  
AT EACH WEEP HOLE IN WIRE BASKET

WEEP HOLES @ MIN. 10' CTRS  
3" DIA. w/ P.V.C. PIPE  
REQUIRED FOR HEIGHTS OVER 4' AND/OR IF  
LENGTH EXCEEDS 60'

4,000 psi CONC.



END ELEVATION AT JOINT

REVISION		
ITEM NO.	DESCRIPTION OF CHANGE	APPROVAL DATE

TOWN OF COLLIERVILLE  
GRAVITY RETAINING WALL  
(ABOVE SIDEWALK)

TOC-220