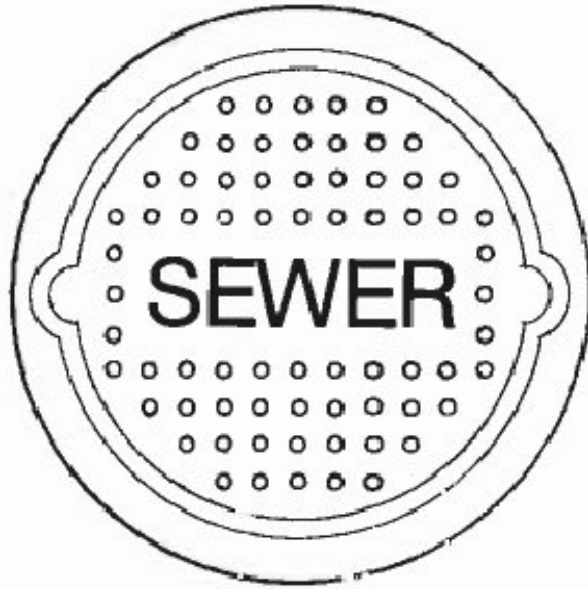
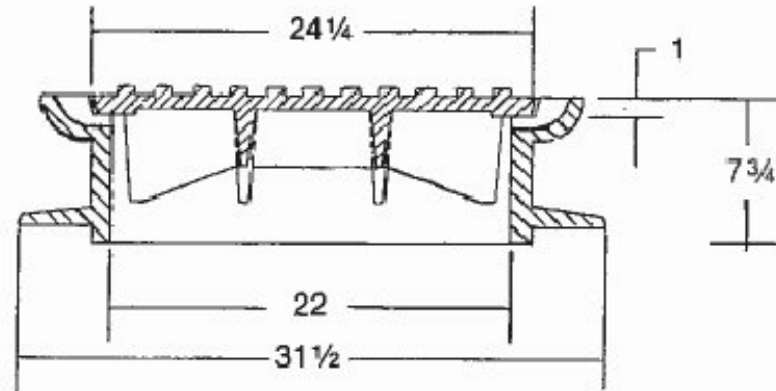


Memphis No. 7 Manhole Rim and Cover  
 Tenn No. 3 Manhole Casting  
 with Type B Cover



Weight: Cover 155 lbs.  
 Rim 212 lbs.

Seats Machined to prevent Rocking  
 Can be sealed with Stainless Bolts  
 and Neoprene Gasket



REVISION		
ITEM NO.	DESCRIPTION OF CHANGE	APPROVAL DATE

TOWN OF COLLIERVILLE  
 SEWER MANHOLE  
 RIM & COVER

TOC-303