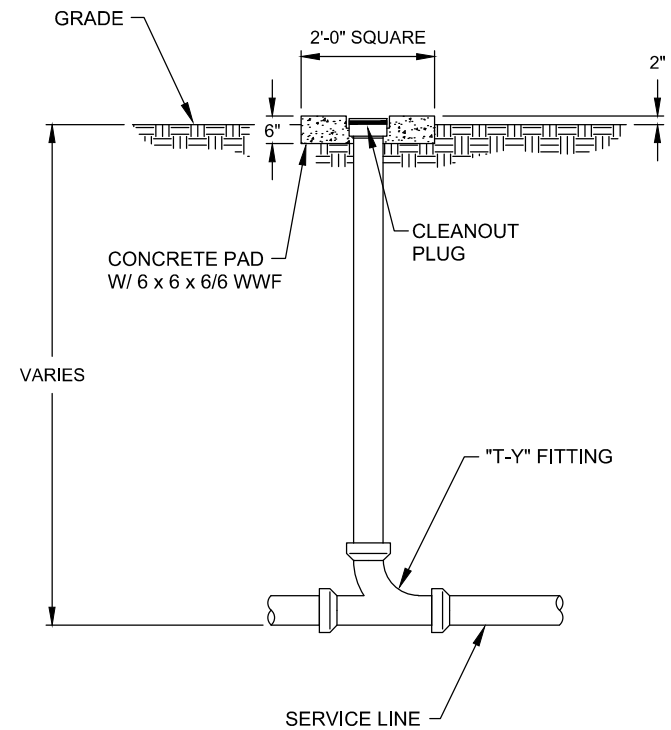


TYPE 1



TYPE 2

REVISION		
ITEM NO.	DESCRIPTION OF CHANGE	APPROVAL DATE

TOWN OF COLLIERVILLE  
 COMMERCIAL CLEAN-OUT  
 DETAIL

SCALE: NONE

TOC-316