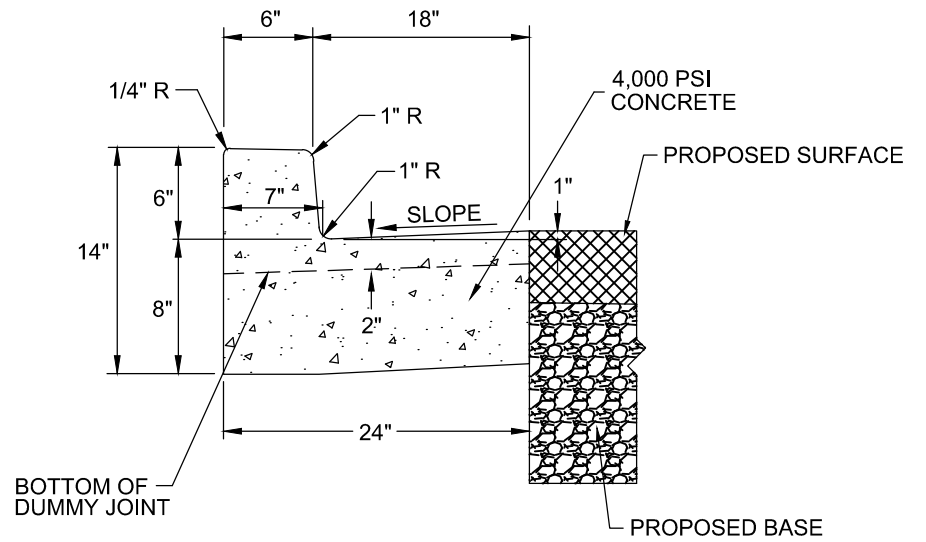


### 6-24 CURB & GUTTER (STANDARD)

N.T.S.



### 6-24 CURB & GUTTER (MODIFIED)

N.T.S.

**NOTES:**

1. PRE-CUT EXPANSION JOINT MATERIAL SHALL BE USED IN ALL EXPANSION JOINTS.
2. DUMMY JOINTS SHALL BE INSTALLED AT 10 FT INTERVALS, MAXIMUM.
3. EXPANSION JOINTS SHALL BE INSTALLED AT 30 FT, MAXIMUM.
4. EXPANSION JOINTS SHALL BE INSTALLED AT ENDS OF RADIUS.
5. EXPANSION JOINTS SHALL BE LOCATED A MAXIMUM OF 10 FT FROM INLET STRUCTURES.
6. STANDARD 6-24 CURB & GUTTER TO BE USED UNLESS MODIFIED IS SPECIFIED.
7. CONCRETE SHALL BE 4000 PSI.

REVISION		
ITEM NO.	DESCRIPTION OF CHANGE	APPROVAL DATE

**TOWN OF COLLIERVILLE  
6-24 CURB & GUTTER**

**TOC-508**