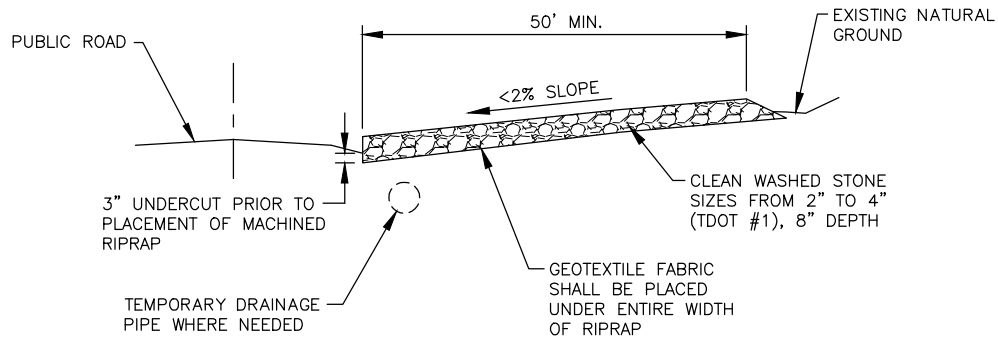


PLAN VIEW OF TEMPORARY CONSTRUCTION ROAD



SECTION A-A

NOTES:

1. ADDITIONAL STONE MAY HAVE TO BE ADDED PERIODICALLY TO MAINTAIN PROPER FUNCTIONING OF THE PAD.
2. IF THE CRUSHED STONE DOES NOT ADEQUATELY REMOVE THE MUD FROM THE VEHICLE WHEELS, THE WHEELS SHOULD BE HOSED OFF BEFORE THE VEHICLE ENTERS A PUBLIC STREET.
3. THE WASHING SHOULD BE DONE ON AN AREA COVERED WITH CRUSHED STONE, AND THE WASTE WATER SHOULD DRAIN TO SEDIMENT TRAP OR SEDIMENT BARRIER.

REVISION		
ITEM NO.	DESCRIPTION OF CHANGE	APPROVAL DATE

**TOWN OF COLLIERVILLE**  
**CONSTRUCTION**  
**ENTRANCE / EXIT**

SCALE: NONE

**TOC-602**