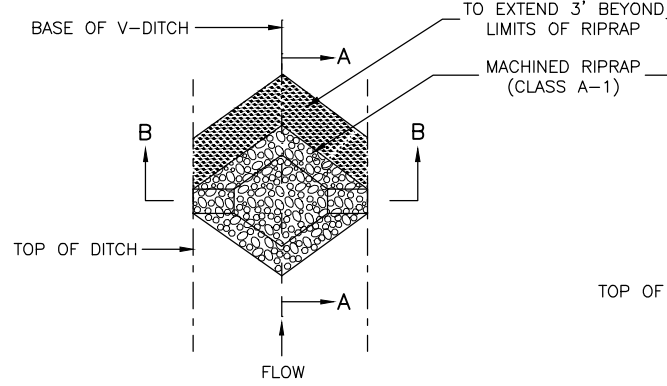
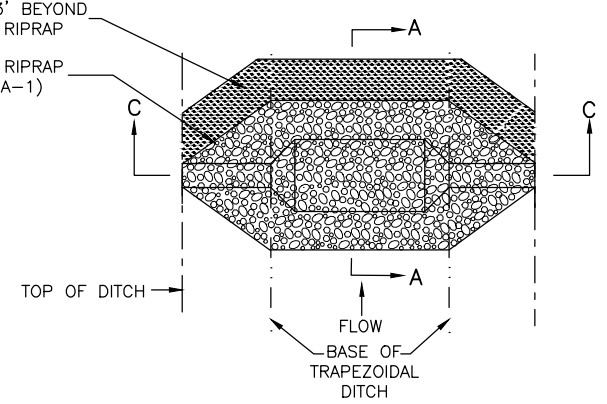


DETAIL FOR V-DITCH

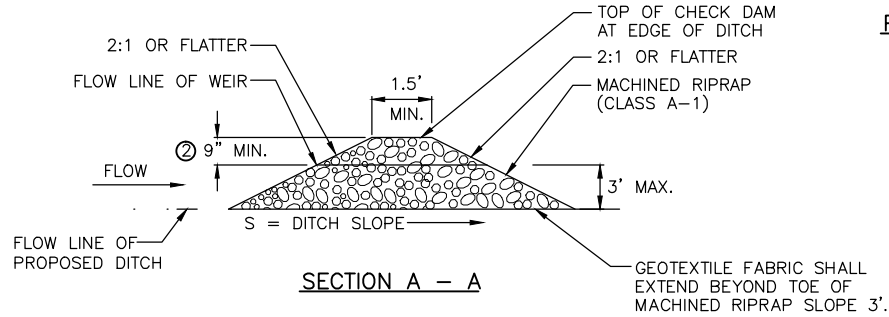


PLAN VIEW

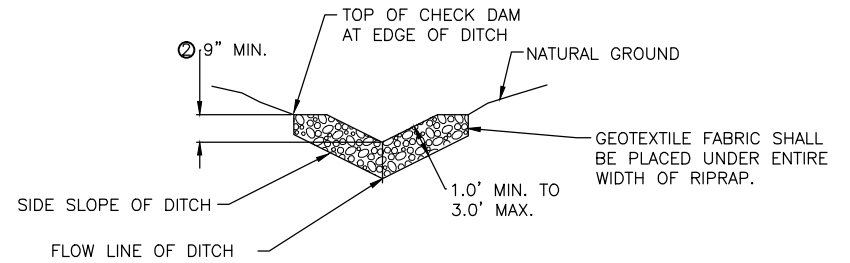
DETAIL FOR TRAPEZOIDAL DITCH



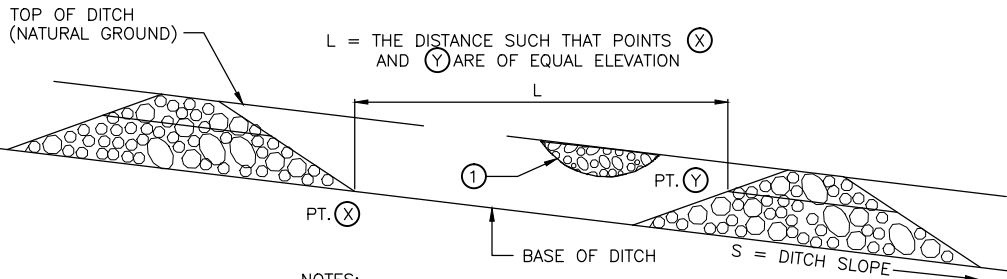
PLAN VIEW



SECTION A - A



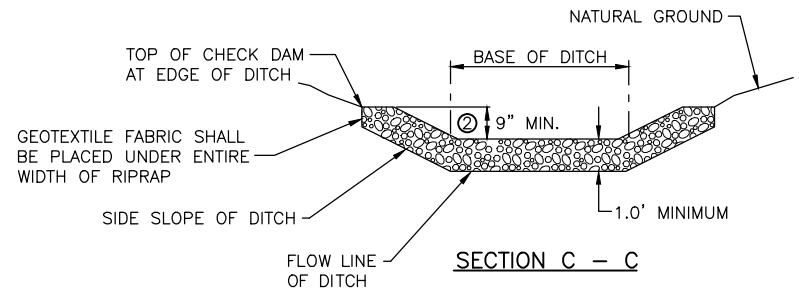
SECTION B - B



NOTES:

- ① FILL LOW AREAS ALONG TOP OF BANK TO PREVENT BACKWATER FROM EXITING DITCH.
- ② WEIR FLOW DEPTH BASED UPON 2yr/24hr STORM EVENT OR 5yr/24hr STORM EVENT.

DETAIL FOR SPACING BETWEEN CHECK DAMS



SECTION C - C

EROSION CONTROL PLAN LEGEND → → → CHECK DAM

REVISION		
ITEM NO.	DESCRIPTION OF CHANGE	APPROVAL DATE

TOWN OF COLLIERVILLE

CHECK DAM DETAIL

SCALE: NONE

TOC-605