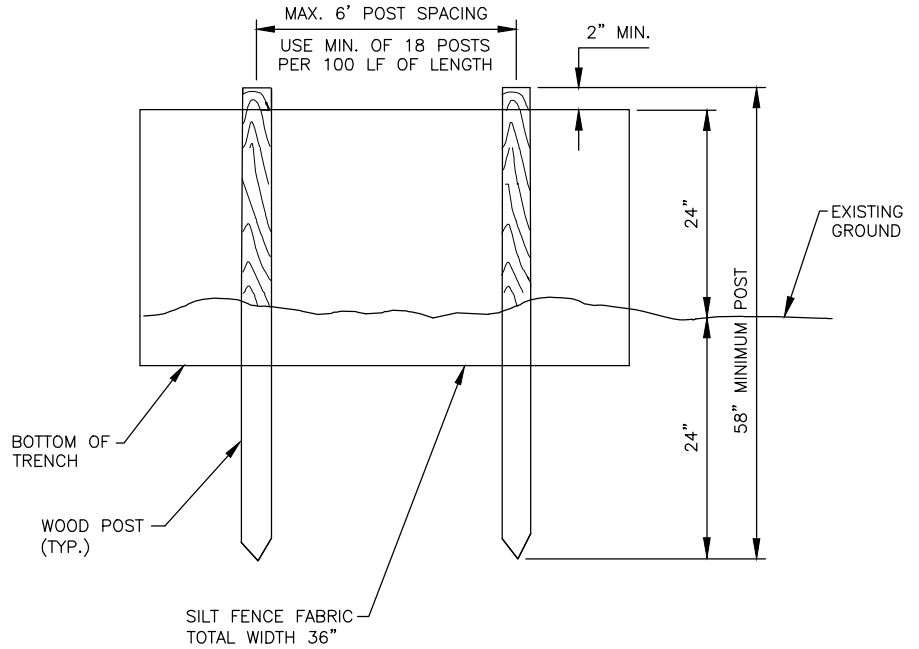
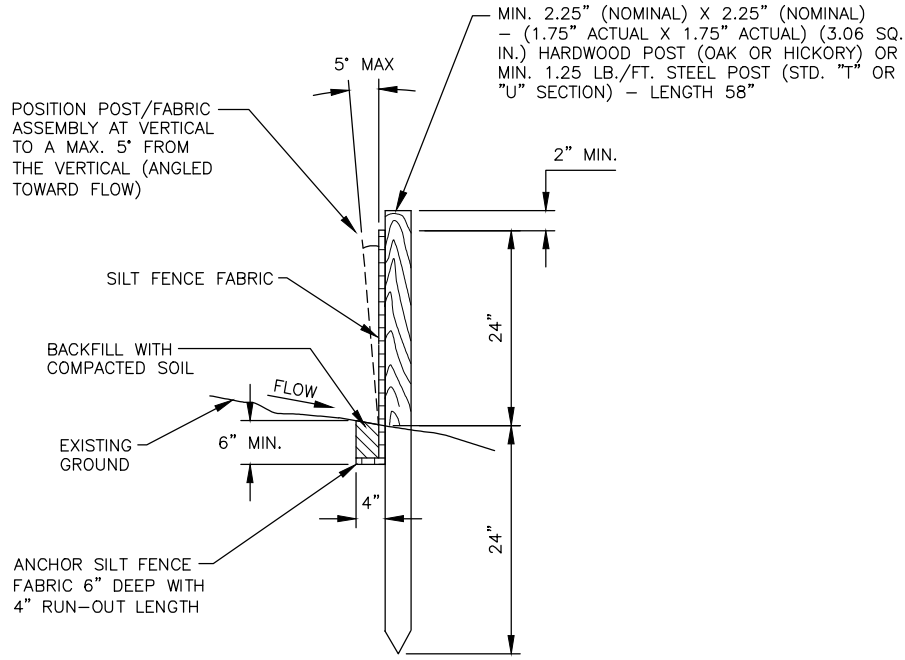


SILT FENCE TIEBACK FOR STEEL POSTS OR WOOD POSTS

(WHEN REQUIRED BY THE ENGINEER OR NOTED IN THE PLANS. COST TO BE INCLUDED IN THE ITEMS FOR SILT FENCE)



ELEVATION VIEW



SECTIONAL VIEW

REVISION		
ITEM NO.	DESCRIPTION OF CHANGE	APPROVAL DATE

TOWN OF COLLIERVILLE

SILT FENCE DETAIL

SCALE: NONE

TOC-608