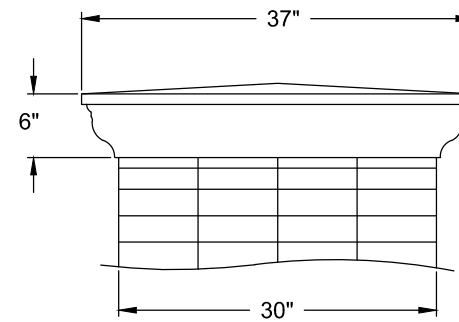
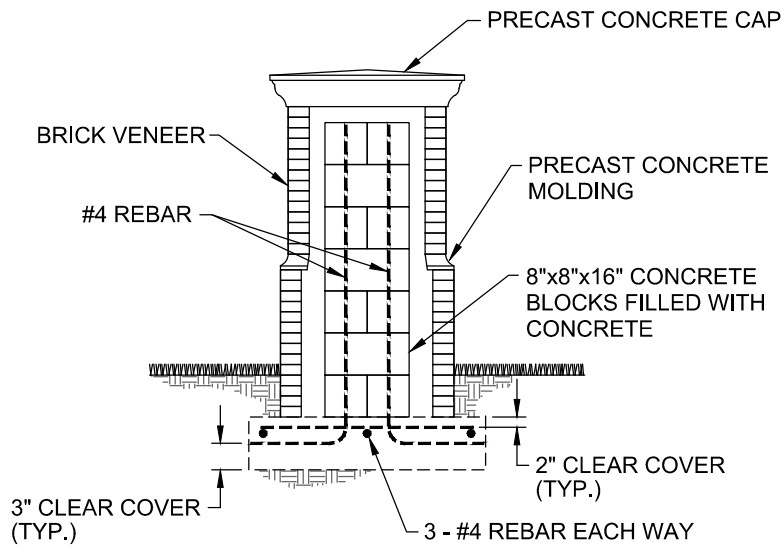


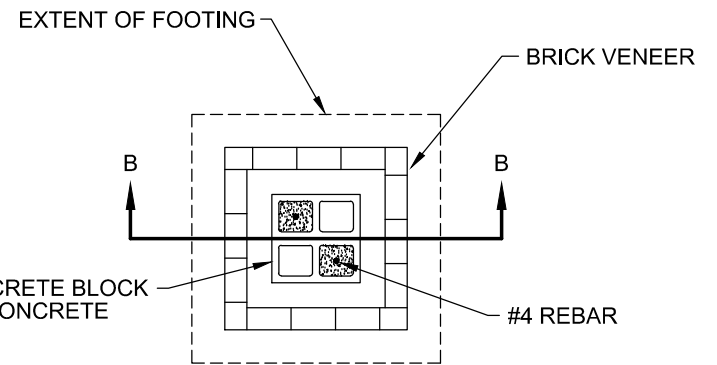
ELEVATION



PRE-CAST CONCRETE CAP



SECTION B-B



SECTION A-A

**NOTE:**

BRONZE PLAQUE TO DISPLAY THE NAME OF THE PARK.  
CONTACT TERRY TIGNER AT 457-2254 FOR DETAILS.

REVISION		
ITEM NO.	DESCRIPTION OF CHANGE	APPROVAL DATE

TOWN OF COLLIERVILLE  
COLUMN AND CAP DETAIL

SCALE: NONE

TOC-104