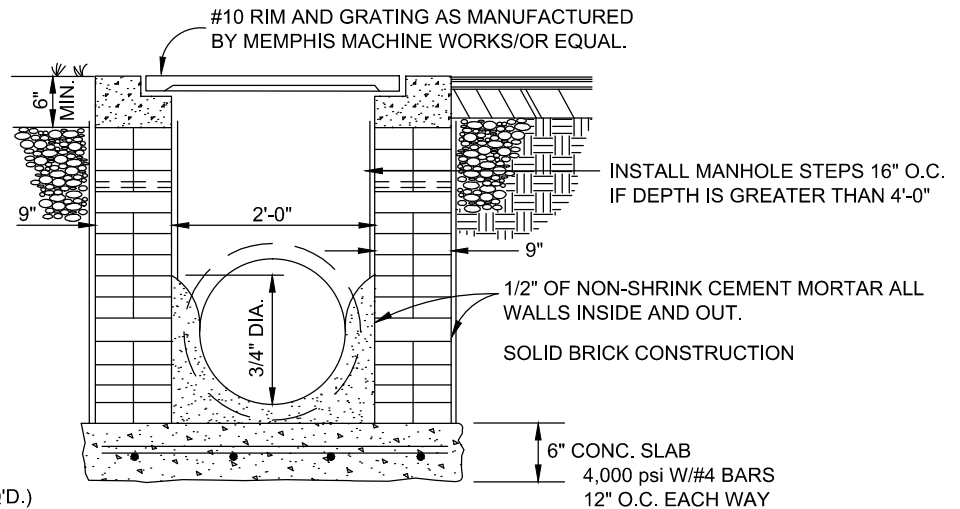
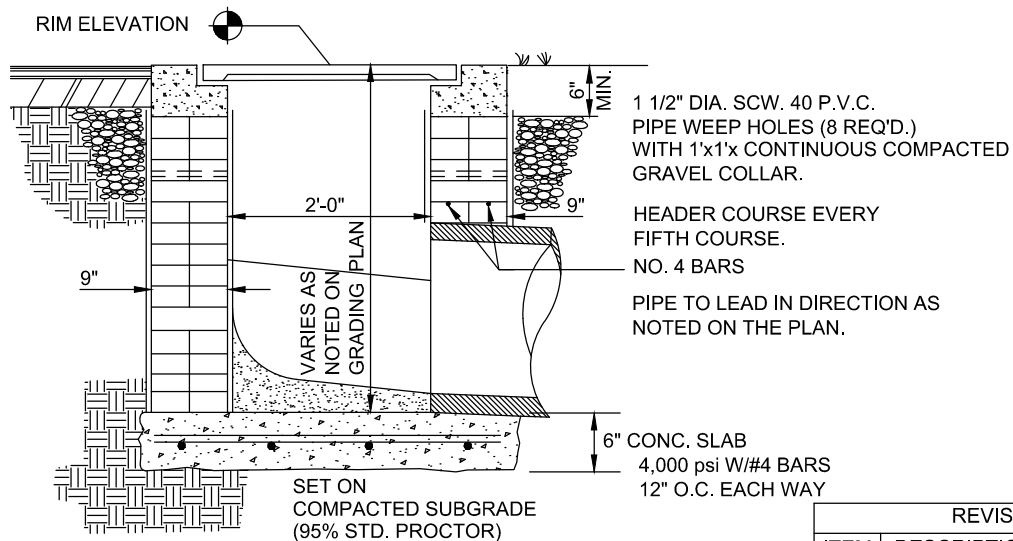


PLAN



CROSS SECTION



LONGITUDINAL SECTION

REVISION		
ITEM NO.	DESCRIPTION OF CHANGE	APPROVAL DATE

TOWN OF COLLIERVILLE  
NUMBER 10 INLET

TOC-201