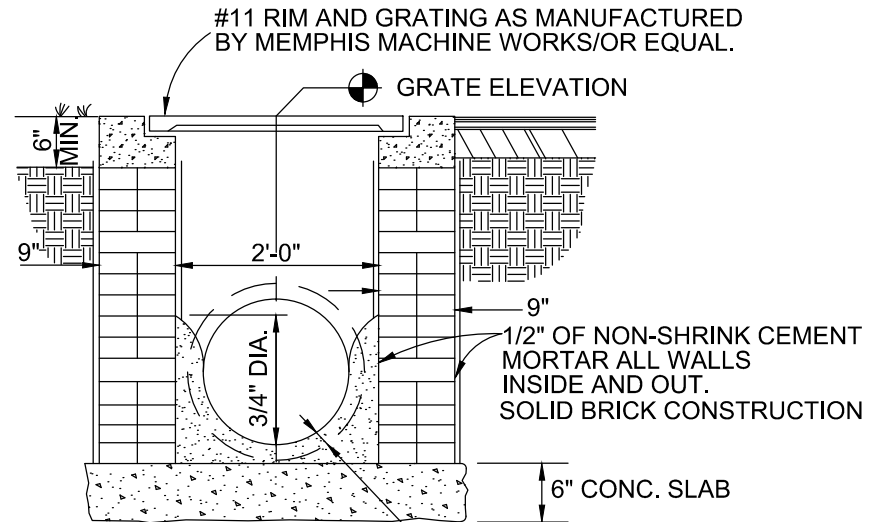
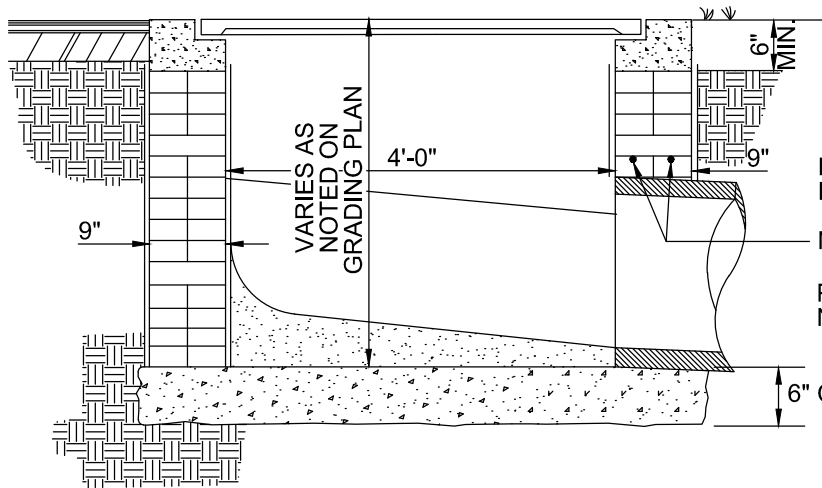


PLAN



CROSS SECTION



LONGITUDINAL SECTION
SET ON
COMPACTED SUBGRADE
(95% STD. PROCTOR)

HEADER COURSE EVERY
FIFTH COURSE.

NO. 4 BARS

PIPE TO LEAD IN DIRECTION AS
NOTED ON THE PLAN.

6" CONC. SLAB

NOTE:

1. CONC. TO BE 4,000 psi
2. ANYTHING GREATER THAN 3 FEET
MUST HAVE STEPS.

REVISION		
ITEM NO.	DESCRIPTION OF CHANGE	APPROVAL DATE

TOWN OF COLLIERVILLE
NUMBER 11 INLET

TOC-202